

MODEL **MP 1500 / MP 2000**
CZ 2000V / CZ 360 / CZ 500

NOMINAL VOLTAGE - TENSIÓN NOMINAL

220-240 V

FREQUENCY - FRECUENCIA

50 Hz

CD01	CONDENSER - CONDENSADOR
CT01	CONTACTOR - CONTACTOR
CT02	CONTACTOR - CONTACTOR
CT03	CONTACTOR - CONTACTOR
CT04	CONTACTOR - CONTACTOR
EB01	ELECTRONIC BOARD - PLACA ELECTRÓNICA
EV01	ELECTROVALVE - ELECTROVÁLVULA
EV02	ELECTROVALVE - ELECTROVÁLVULA
IR01	GENERAL SWITCH - INTERRUPTOR GENERAL (ON-OFF)
IR02	SHORT-LONG CYCLE SWITCH - INTERRUPTOR CICLO CORTO-LARGO
LD01	LED 1 SHORT-LONG CYCLE AND ALARMS - LED 1 CICLO CORTO-LARGO Y ALARMAS
LD02	LED 2 POWER SUPPLY - LED 2 ALIMENTACIÓN (ON-OFF)
LD03	LED 3 WASHING CYCLE AND REGENERATION FUNCTION ALARM - LED 3 CICLO LAVADO Y FUNCIÓN AVISO REGENERACIÓN
MB01	WASHING PUMP - BOMBA LAVADO
MB11	WASHING PUMP - BOMBA LAVADO
MB02	DRAIN PUMP (OPTIONAL) - BOMBA VACIADO (OPCIONAL)
MB03	DETERGENT PUMP (OPTIONAL) - DOSIFICADOR DETERGENTE (OPCIONAL)
MM01	MAGNETIC DOOR ALARM SWICHT - MICRO MAGNÉTICO
PL01	START PUSH-BUTTON - PULSADOR START
PS01	LEVEL PRESSURE SWICHT - PRESOSTATO NIVEL
RS01	BOILER RESISTANCE - RESISTENCIA CALDERÍN
RS02	TANK RESISTANCE - RESISTENCIA CUBA
TP01	STOP THERMIC SWITCH - TERMOSTOP
TS01	SAFETY THERMOSTAT - TERMOSTATO SEGURIDAD
TT01	BOILER THERMOSTAT - TERMOSTATO CALDERÍN
TT02	TANK THERMOSTAT - TERMOSTATO CUBA

Fecha: 31 enero 2013
Rev.: 1
Diseño: J.Sebastià/F.LLoret

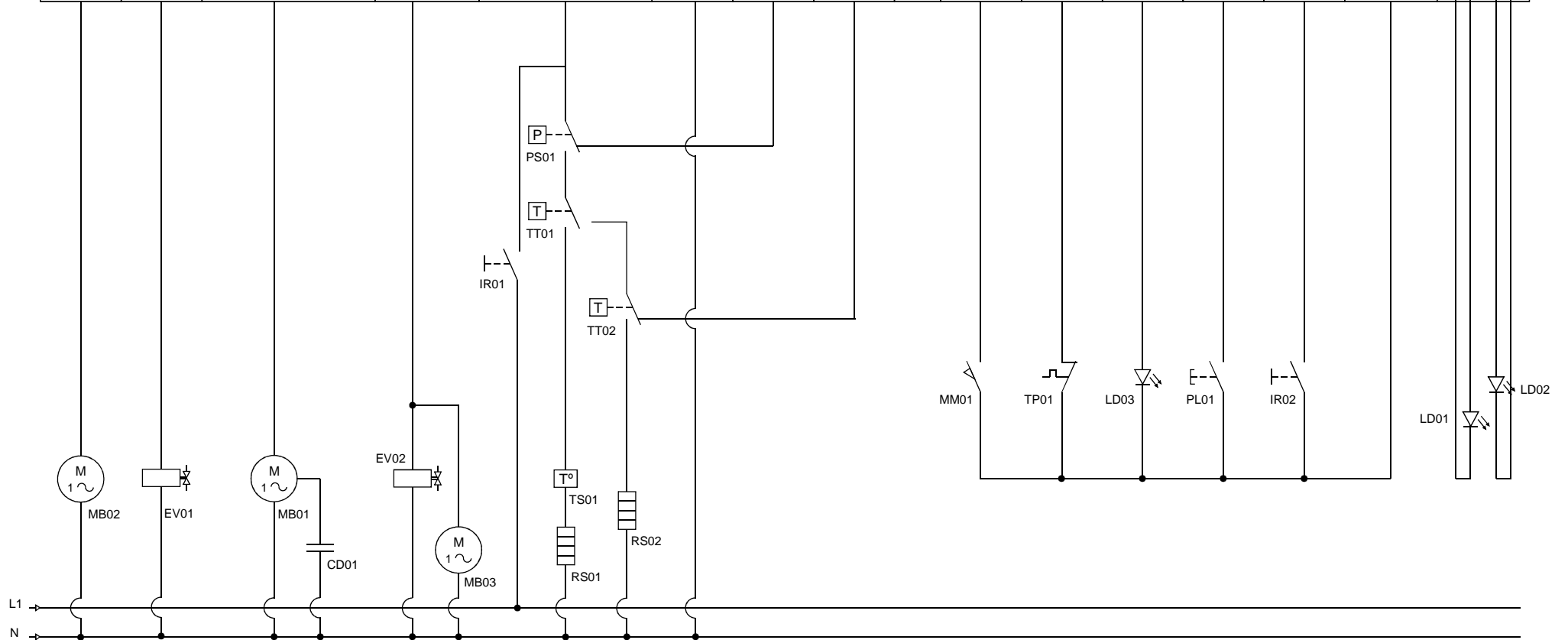
Wiring Diagram - Esquema eléctrico

Model: **MP 1500 - MP 2000**
CZ 2000V - CZ 360 - CZ 500

Pág: 1 / 2



OPTIONAL	OPTIONAL		ELECTROVALVE ELECTROVALVULA				TANK THERMIC SWITCH TERMOSTATO CUBA			DOOR CLOSED MICRO PUERTA	STOP THERMIC SWITCH TERMOSTOP	LED LED CICLO / REGENERACIÓN	START	SWITCH SHORT-LONG CYCLE INT. CICLO CORTO-LARGO	COMMON COMUN	SHORT-LONG / ALARMS LED CORTO-LARGO / ALARMAS LED	POWER SUPPLY LED ALIMENTACION LED
FA1	FA2	FA3	FA4	FA5	FA6	FA7	FA8	FA9	FA10	FA11	FA12	FA13	FA14	FA15	CN2		



Fecha: 31 enero 2013
 Rev.: 1
 Diseño: J.Sebastià/F.LLoret

Esquema: Auxiliary - Auxiliares maniobra
 Modelo: **MP 1500 - MP 2000**
CZ 2000V - CZ 360 - CZ 500

Pág: 2/2

